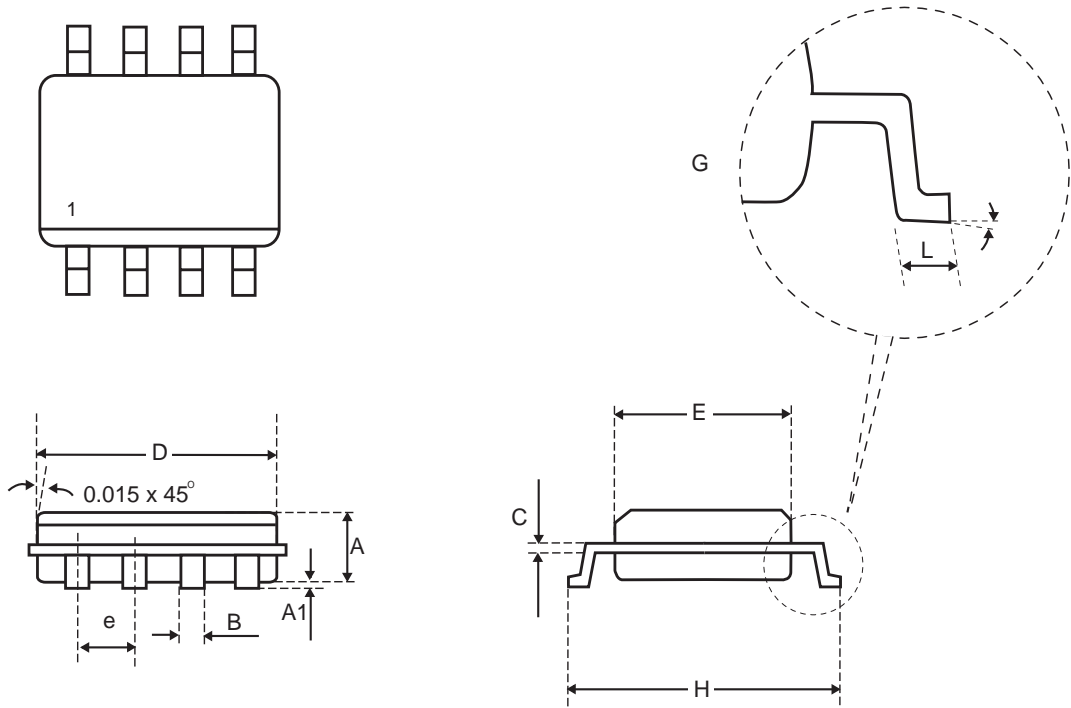




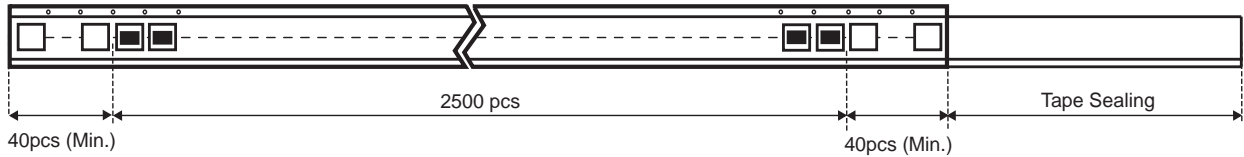
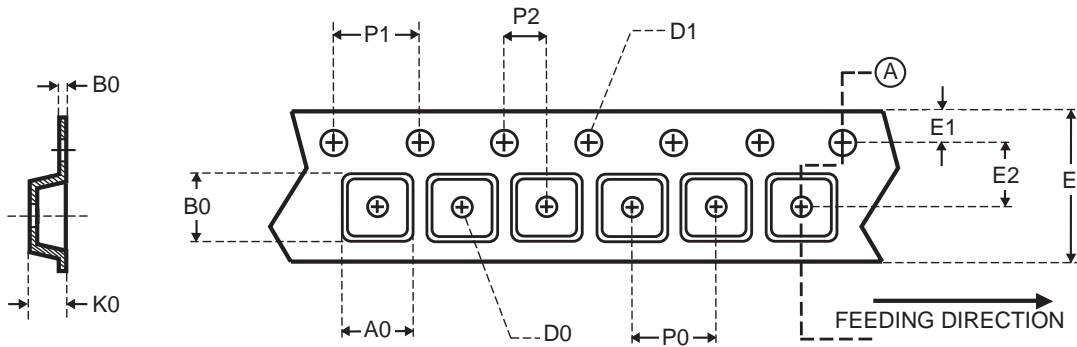
Package Outline Dimensions



SYMBOLS	MILLIMETERS		INCHES	
	Min.	Max.	Min.	Max.
A	1.35	1.75	0.053	0.069
A1	0.10	0.25	0.004	0.010
B	0.41 Typ.		0.016 Typ.	
C	0.20 Typ.		0.008 Typ.	
D	4.80	4.98	0.189	0.196
E	3.81	3.99	0.150	0.157
e	1.25 Typ.		0.05 Typ.	
H	5.79	6.20	0.228	0.244
L	0.41	1.27	0.016	0.050
	0°	8°	0°	8°

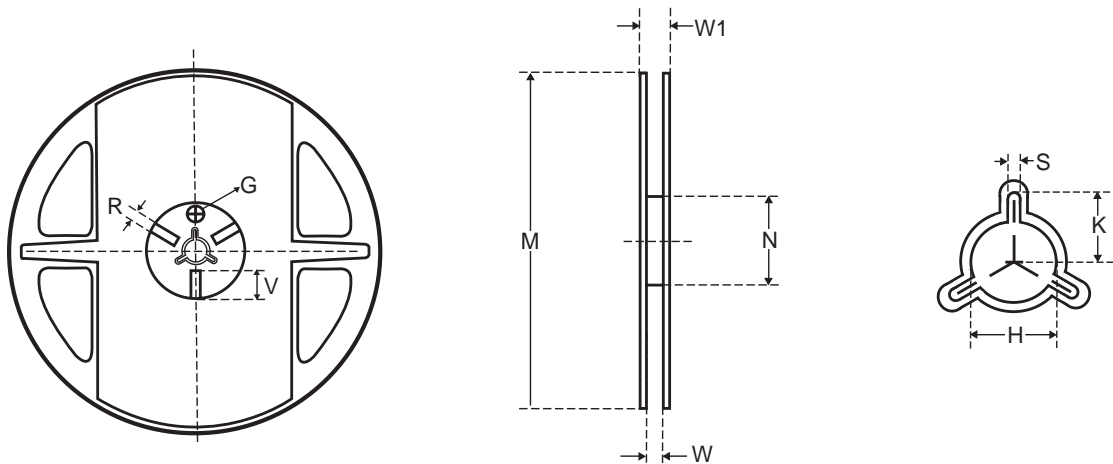


Carrier Tape & Reel Dimensions



Package	A0	B0	K0	D0	D1	E	E1	E2	P0	P1	P2	T
SOP 8N 150 mil	6.40	5.20	2.10	1.50 (Min.)	1.50 +0.10 -0.10	12.00 ±0.30	1.75	5.50 ±0.05	8.00	4.00	2.00 ±0.05	0.30 ±0.05

UNIT : mm



Tape size	Reel Size	M	N	W	W1	H	K	S	G	R
12mm	330	330 ± 1	62 ±1.5	12.4 ±0.2	16.8 -0.4	12.75 ±0.15	-	2.0 ±0.15	-	-

UNIT : mm